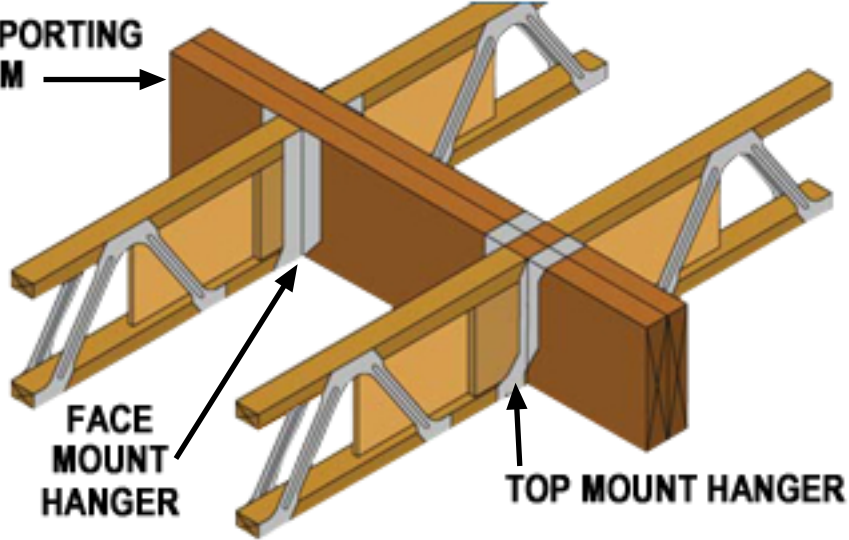


**SUPPORTING  
BEAM**



**FACE  
MOUNT  
HANGER**

**TOP MOUNT HANGER**

**NOTE: IF SIDES OF HANGER DO NOT LATERALLY  
SUPPORT TOP CHORD, A WEB STIFFENER IS REQUIRED.**

**DETAIL I — FLUSH BEAM**